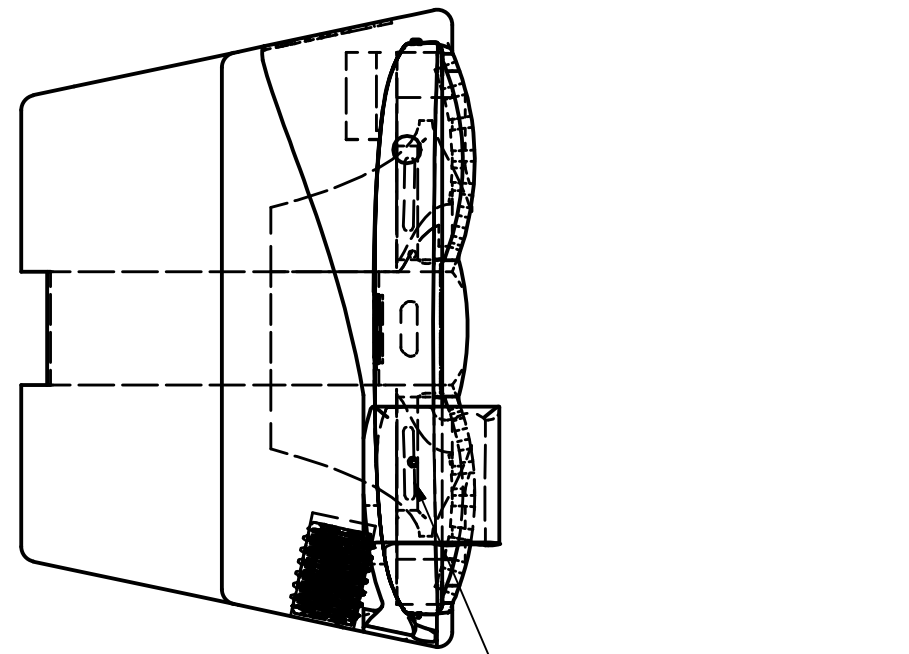


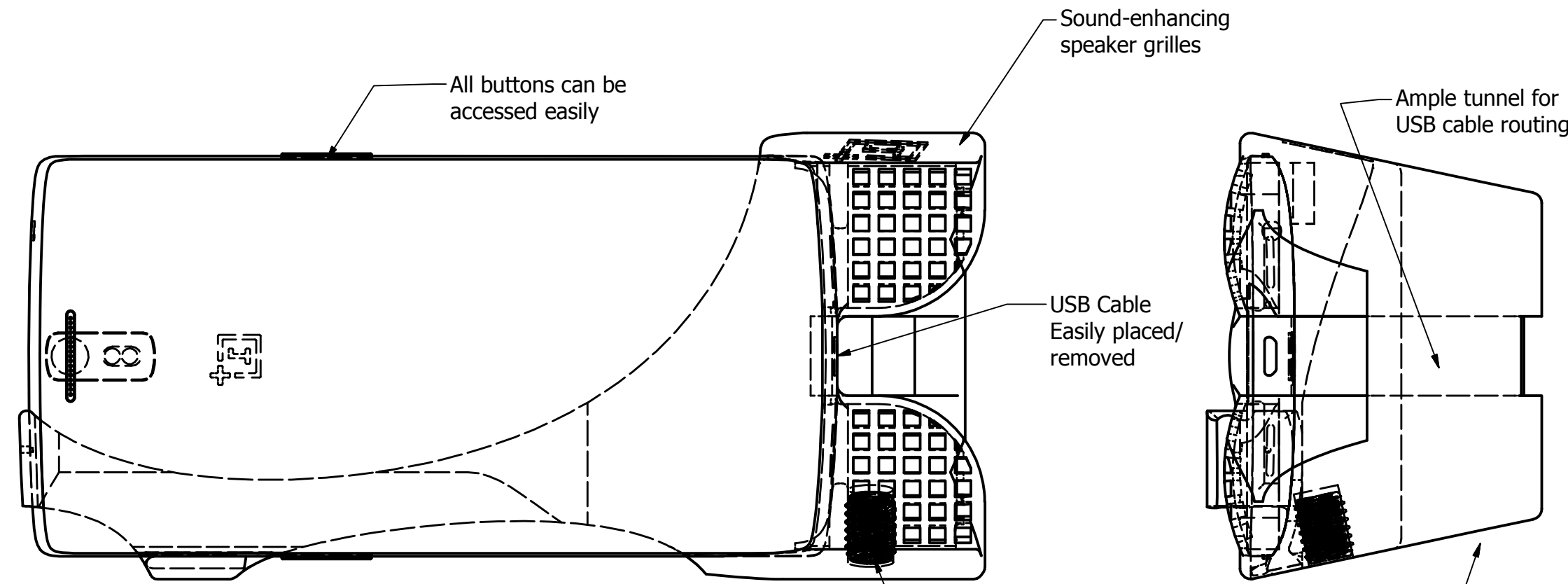
Finger rest for better control in handheld camera mode

Camera grip geometry modeled based on Panasonic GH2

Sculpted, low-profile back



All noise/echo-cancelling microphones remain exposed

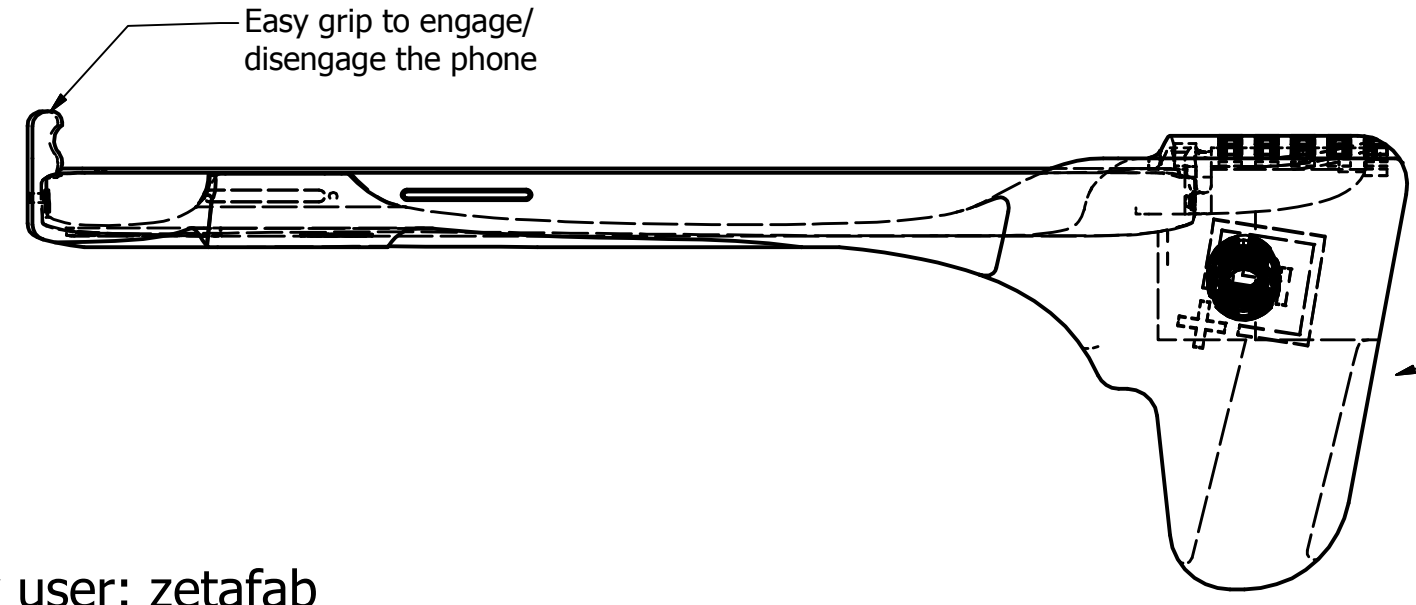


All buttons can be accessed easily

Sound-enhancing speaker grilles

Ample tunnel for USB cable routing

USB Cable Easily placed/removed



Easy grip to engage/disengage the phone

1/4"-20 Insert Nut, McMaster p/n 99362A700 mcmaster.com (or similar) For Tripod Mounting

Ideal viewing angle in portrait or landscape configurations

Submitted for OnePlus/Ultimaker Design Contest by user: zetafab