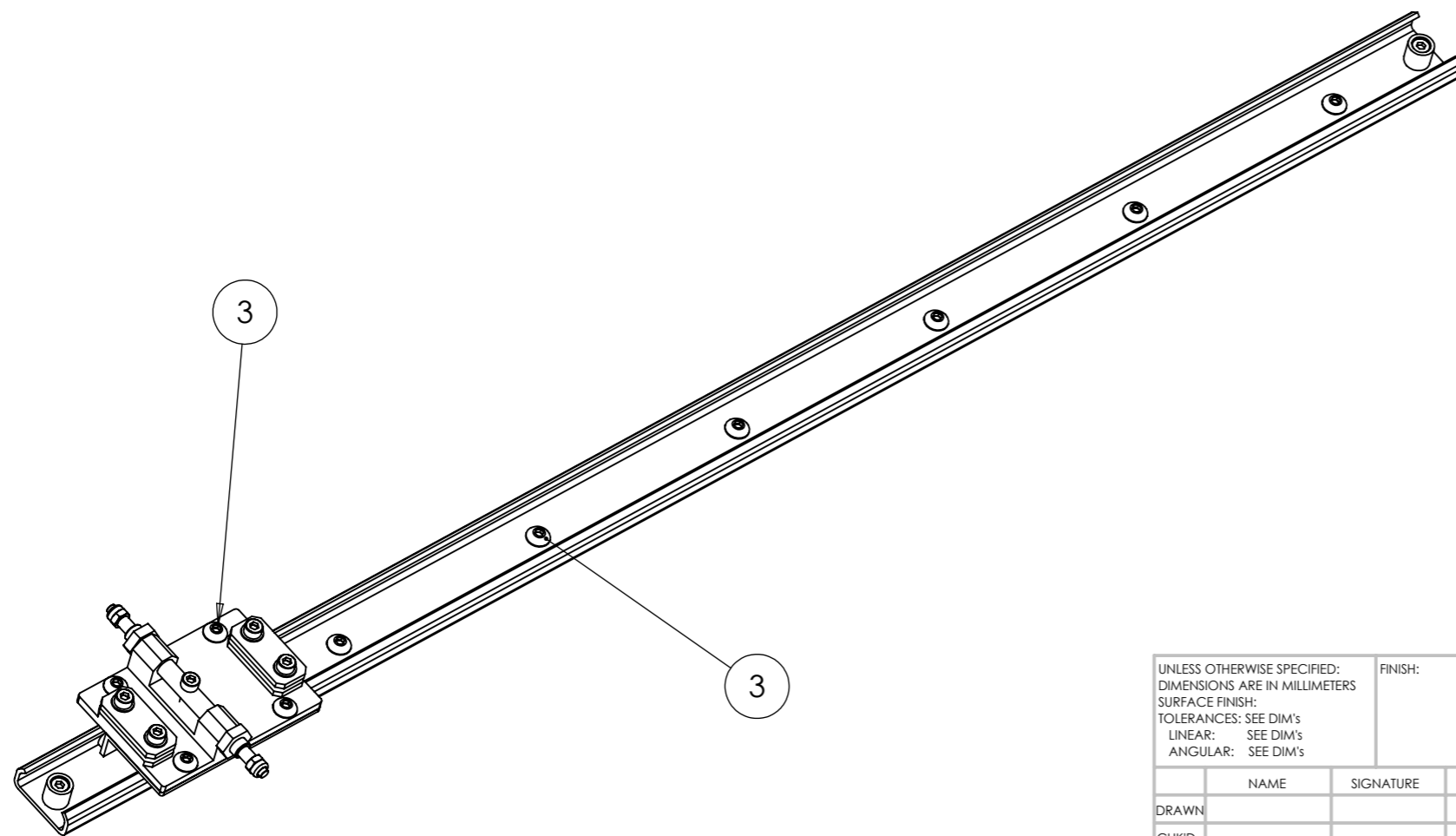
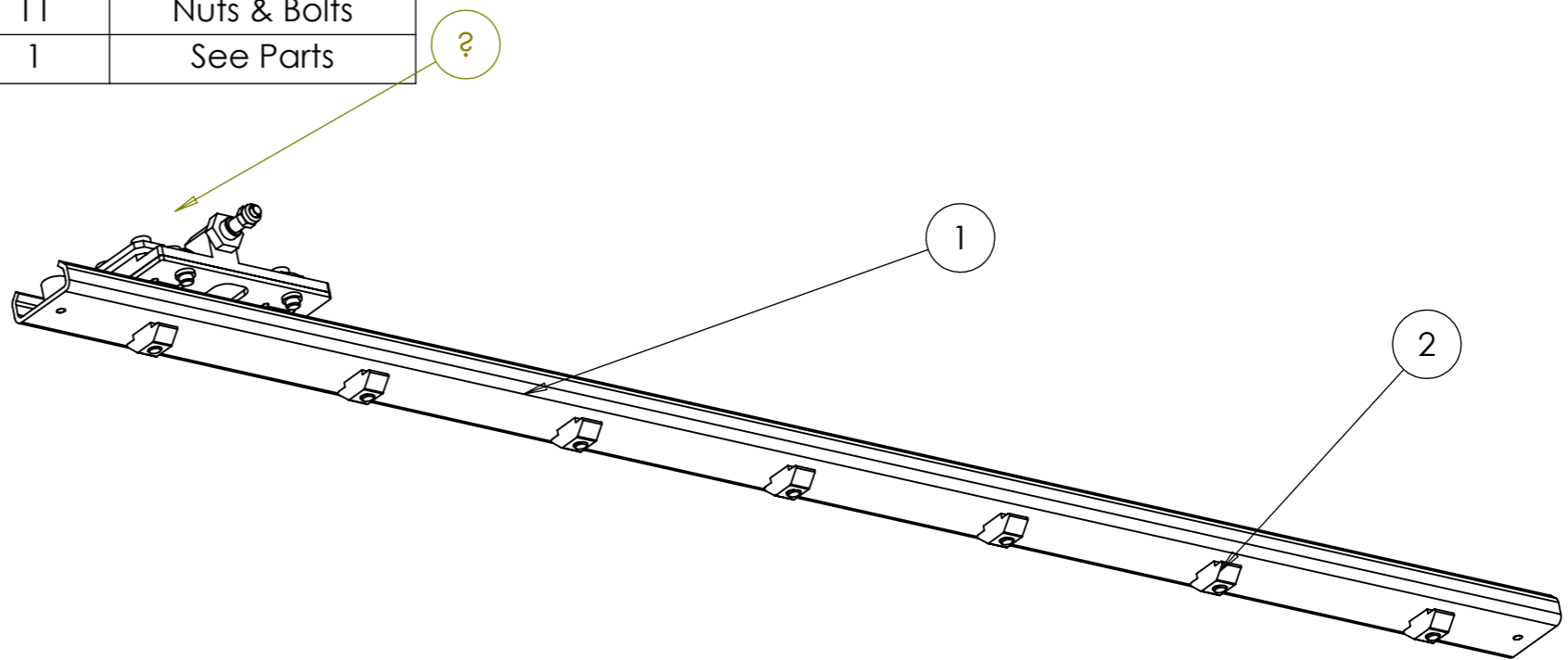



ITEM	PART NUMBER	DESCRIPTION	QTY.	supplier
1	1-00077	Slideway	1	Misumi
2	1-00016	M4 T Nut	7	Motedis
3	1-00092	Button Socket M4 x 8 A2	11	Nuts & Bolts
4	1-00192	Arm Carriage	1	See Parts



This work is licensed under a Creative Commons Attribution - NonCommercial ShareAlike 4.0 Unported license.

UNLESS OTHERWISE SPECIFIED: DIMENSIONS ARE IN MILLIMETERS SURFACE FINISH: TOLERANCES: SEE DIM'S LINEAR: SEE DIM'S ANGULAR: SEE DIM'S			FINISH:	DEBUR AND BREAK SHARP EDGES	DO NOT SCALE DRAWING	REVISION
DRAWN	NAME	SIGNATURE	DATE	 www.andornot.co.uk	TITLE: Slide and Arm Assembly	
CHK'D					DWG NO. 1-00135	A3
APPV'D					SCALE:1:5	SHEET 1 OF 1
MFG					WEIGHT:	
Q.A						