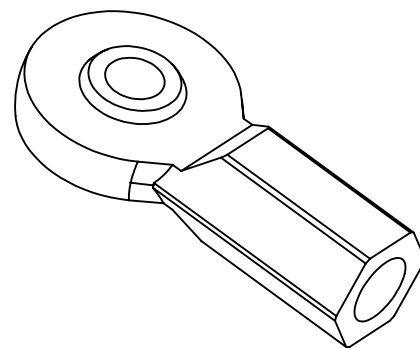



SECTION A-A  
SCALE 5 : 1

### Modified Igus Rod End EBRM-04-J4



This work is licensed under a Creative Commons Attribution - NonCommercial ShareAlike 4.0 Unported license.

UNLESS OTHERWISE SPECIFIED: DIMENSIONS ARE IN MILLIMETERS SURFACE FINISH: TOLERANCES: SEE DIM'S LINEAR: SEE DIM'S ANGULAR: SEE DIM'S			FINISH:	DEBUR AND BREAK SHARP EDGES	DO NOT SCALE DRAWING	REVISION
DRAWN	NAME	SIGNATURE	DATE	 <a href="http://www.andornot.co.uk">www.andornot.co.uk</a>	TITLE:  <b>Rod End</b>	
CHK'D					DWG NO. <b>1-00180</b>	
APPV'D					A3	
MFG					SCALE:2:1	
Q.A					SHEET 1 OF 1	
				WEIGHT:		