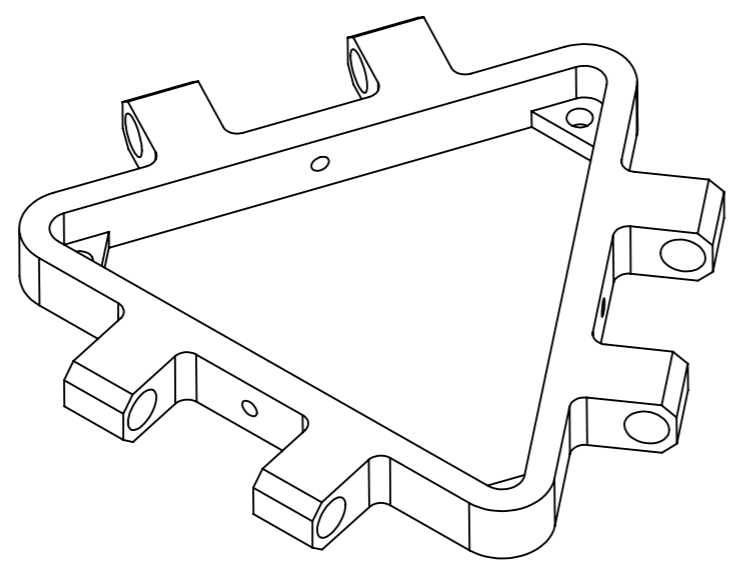


SECTION B-B


SECTION A-A



Note: Material: Aluminium, surface finish 1.6 Ra or better.
To be bead blasted and clear anodised. Deburr and remove all sharp edges.



This work is licensed under a Creative Commons Attribution - NonCommercial ShareAlike 4.0 Unported license.

UNLESS OTHERWISE SPECIFIED: DIMENSIONS ARE IN MILLIMETERS SURFACE FINISH: TOLERANCES: SEE DIM'S LINEAR: SEE DIM'S ANGULAR: SEE DIM'S				FINISH:	DEBUR AND BREAK SHARP EDGES	DO NOT SCALE DRAWING	REVISION	
DRAWN	NAME	SIGNATURE	DATE	 www.andornot.co.uk		TITLE:		
CHK'D						DWG NO. 1-00186		A3
APPV'D						SCALE: 1:1		SHEET 1 OF 1
MFG						WEIGHT:		
Q.A						MATERIAL:		