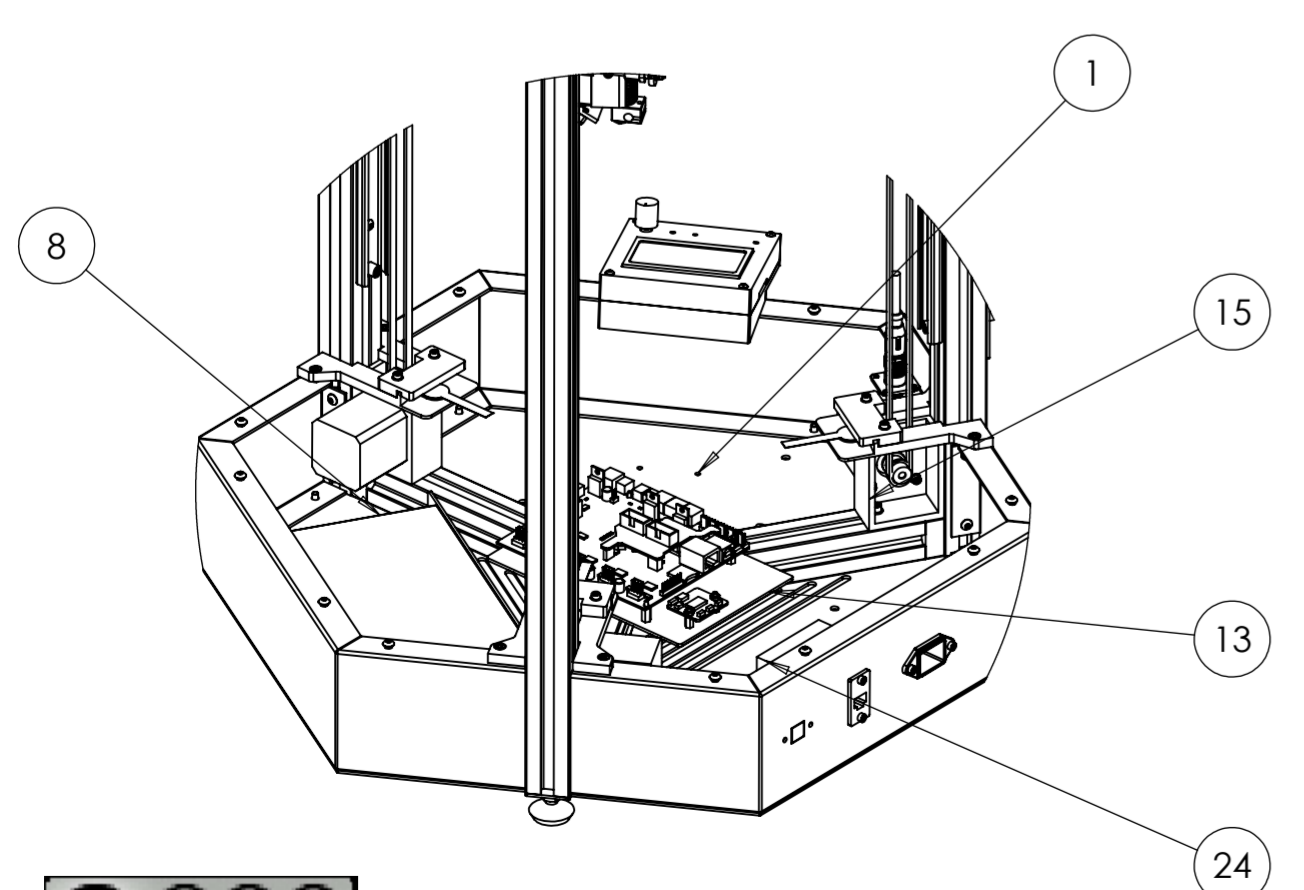
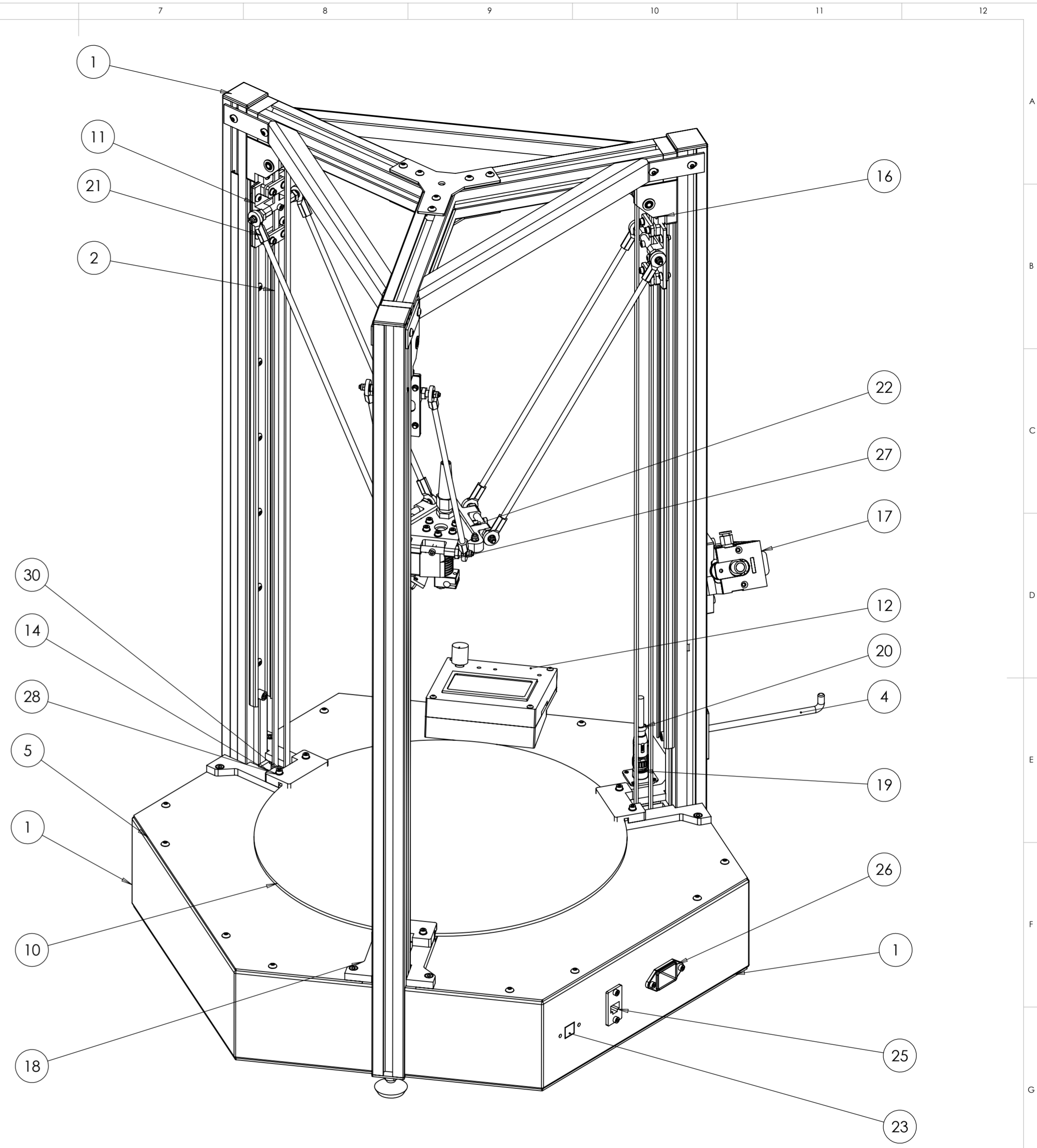


ITEM	PART NUMBER	DESCRIPTION	QTY.	supplier
1	1-00002	Frame Assembly	1	See Parts
2	1-00020	GT2 Endless Belt	3	www.think3dprint3d.com
3	1-00021	M4 x 12 Hex Cap Head A2	6	Nut & Bolt
4	1-00033	Reel Arm Assembly	1	See Parts
5	1-00050	Top Plate	1	To Drawing
6	1-00090	Hexagon Nut M8 A2	1	Nuts & Bolts
7	1-00092	Button Socket M4 x 8 A2	22	Nuts & Bolts
8	1-00094	Power Supply 240vac to 24vdc	1	www.meanwell.co.uk
9	1-00109	Aluminium Profile Cover	3	Motedis
10	1-00122	Heated Bed	1	See Parts
11	1-00135	Slide and Arm Assembly	3	See Parts
12	1-00145	Panel Assy	1	See Parts
13	1-00150	Smoothie Assy	1	See Parts
14	1-00152	Bed Clamp	3	Printed Parts
15	1-00160	Stepper Assy	3	See Parts
16	1-00163	Top Pulley Assy	3	See Parts
17	1-00175	Extruder Assy	1	See Parts
18	1-00177	FSR Plate Assy	3	See Parts
19	1-00178	Cable Socket	1	Conec
20	1-00179	Cable Plug	1	Conec
21	1-00182	Arm Assy	6	See Parts
22	1-00191	End Effector assy	1	See Parts
23	1-00187	USB Panel Mount	1	CPC
24	1-00153	Power Supply 240vac to 12vdc	1	www.meanwell.co.uk
25	1-00193	PANEL MOUNT,CAT5E SHIELDED	1	CPC
26	1-00194	IEC Panel Mount	1	CPC
27	1-00198	Single Hot End Assy	1	See Parts
28	1-00023	M3 Washer A2	14	Nuts & Bolts
29	1-00034	M3 Nyloc A2	7	Nuts & Bolts
30	1-00030	M3 x 16 Hex Cap Head A2	9	Nuts & Bolts
31	1-00024	M3 x 12 Hex Cap Head A2	4	Nuts & Bolts



This work is licensed under a Creative Commons Attribution - NonCommercial ShareAlike 4.0 Unported license.

UNLESS OTHERWISE SPECIFIED: DIMENSIONS ARE IN MILLIMETERS SURFACE FINISH: TOLERANCES: SEE DIM'S LINEAR: SEE DIM'S ANGULAR: SEE DIM'S		FINISH:	DEBUR AND BREAK SHARP EDGES	DO NOT SCALE DRAWING	REVISION
DRAWN:		NAME	SIGNATURE	DATE	TITLE:
CHK'D:					Spatial One
APP'VD:					
MFG:					
Q.A:					
		MATERIAL:		DWG. NO.	1-00000
		WEIGHT:		SCALE:1:20	A2