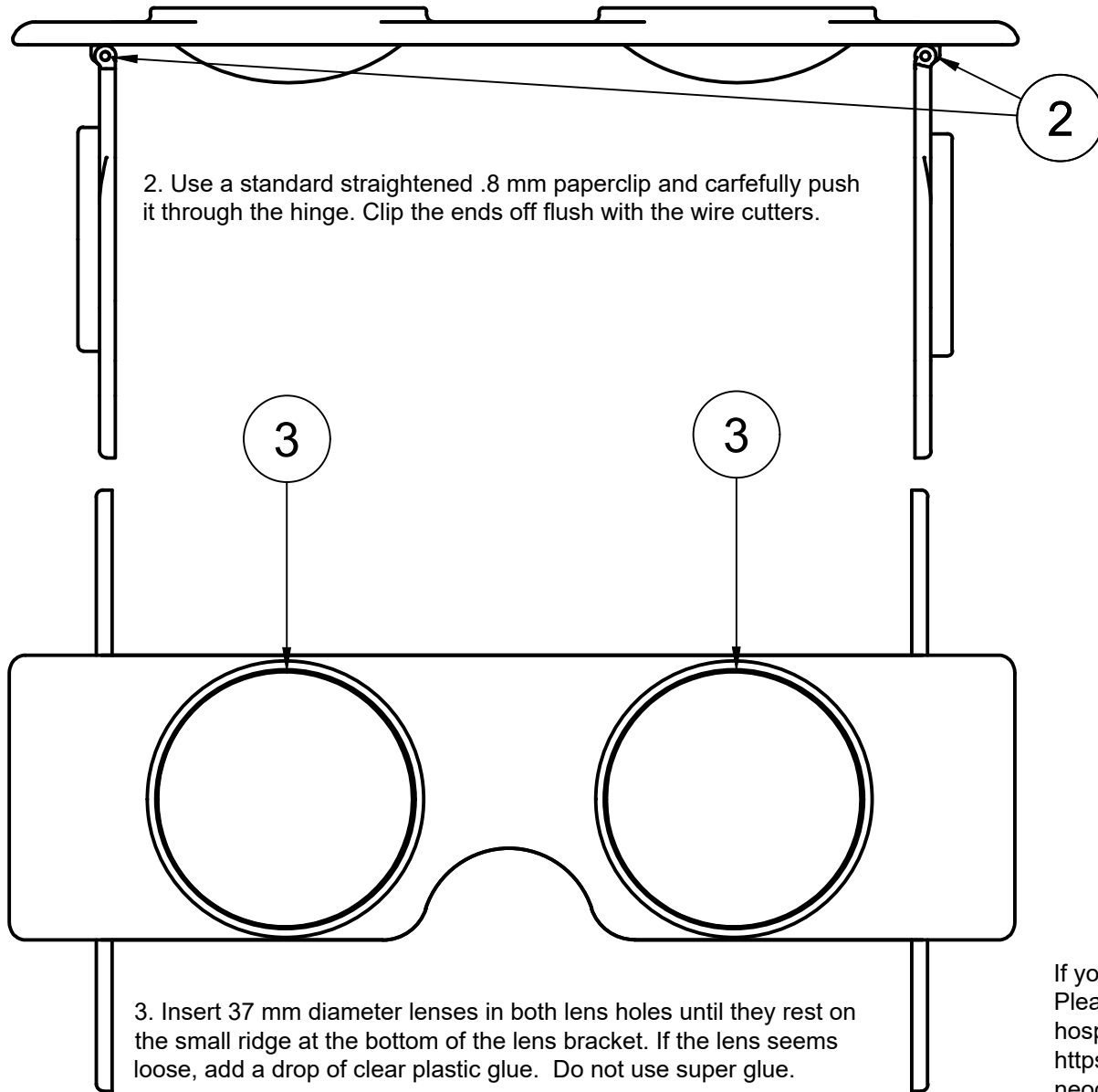
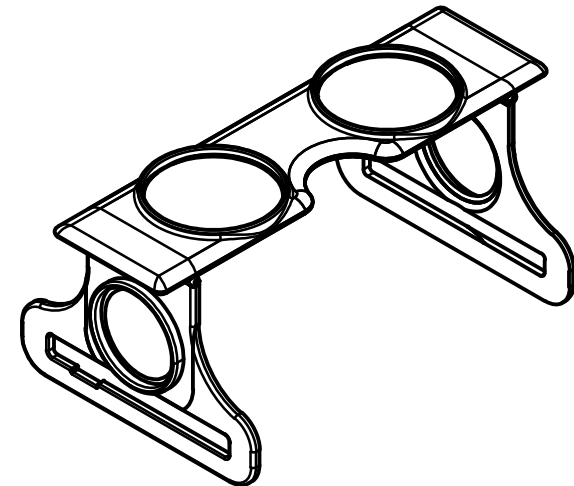
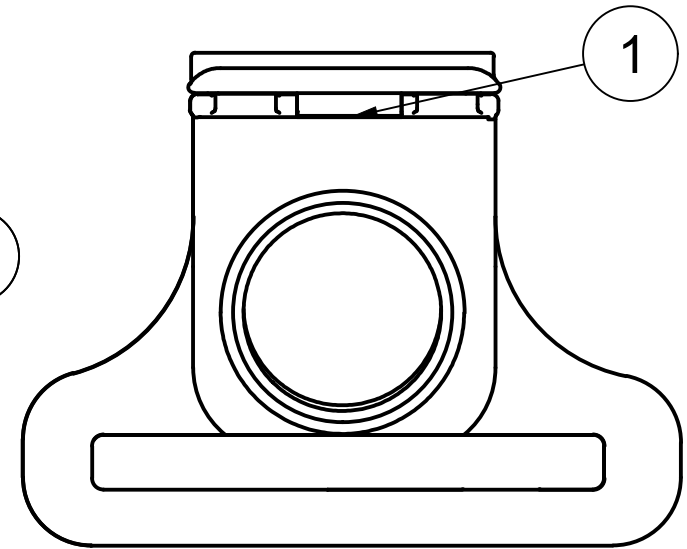


Print 100% infill .15 - .2 layer height. All parts should lie flat, except the two hinge posts, which should be printed upright. You should require no supports in printing this. All STLs are oriented for printing. As in the title, PLA will work fine and most parts should print without any extra care in preparing your print bed.



1. Glue center hinge post (2) to lens frame



If you like the design and would like to contribute to a warm fuzzy. Please check out our Kickstarter about getting VR into children hospitals this Christmas.  
<https://www.kickstarter.com/projects/1332434559/neodivjr-the-magic-of-vr-for-kids-only>