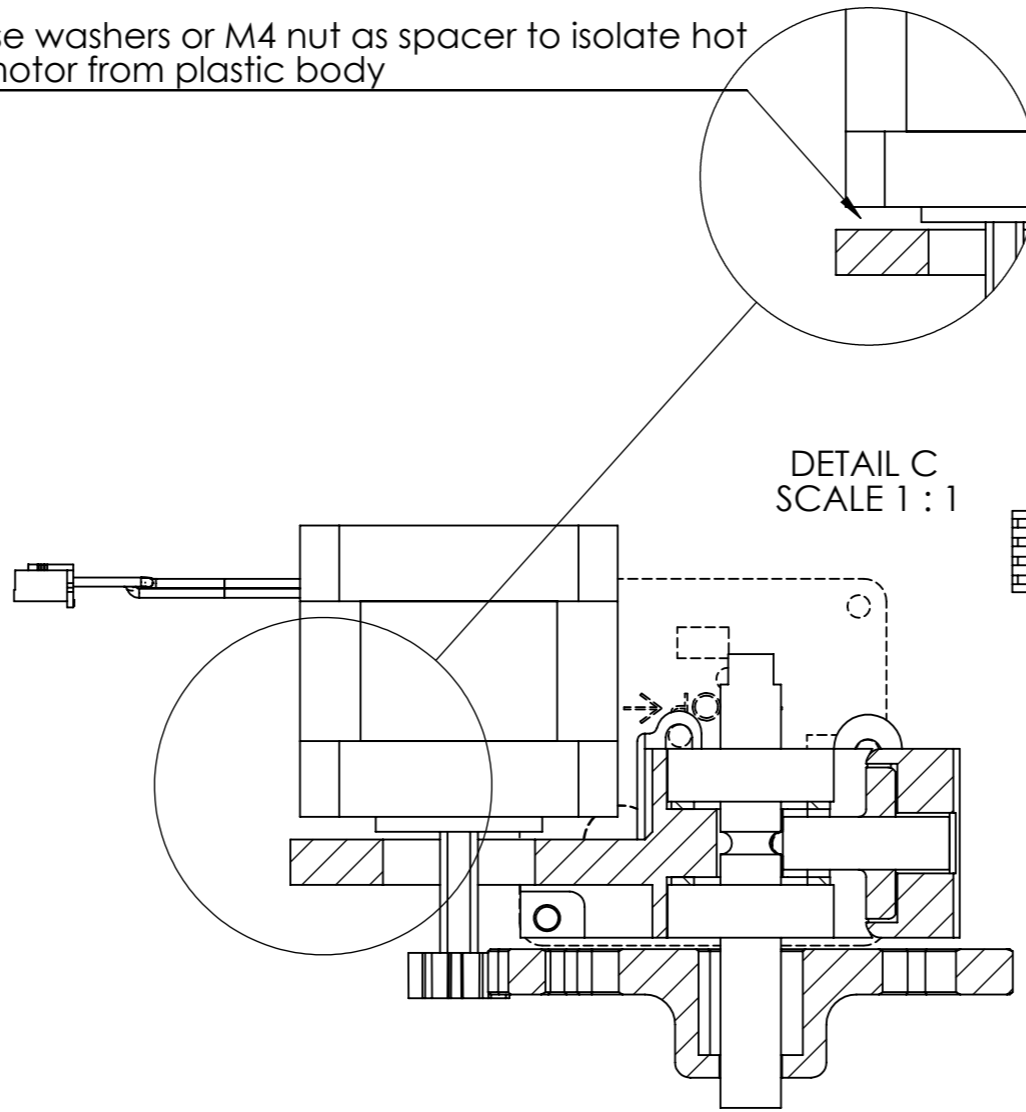
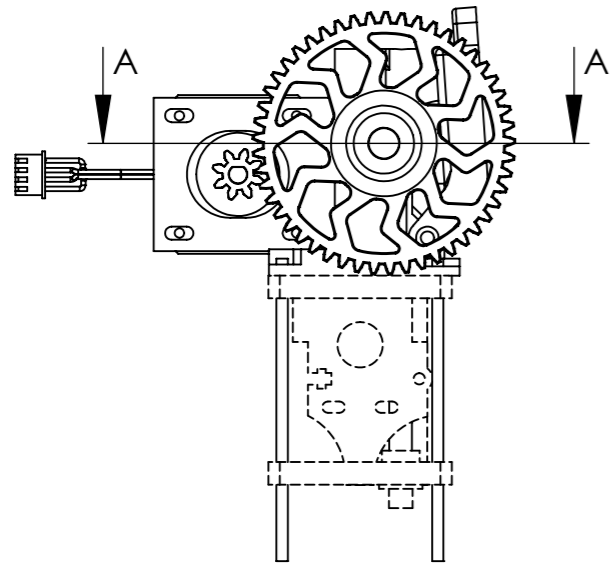
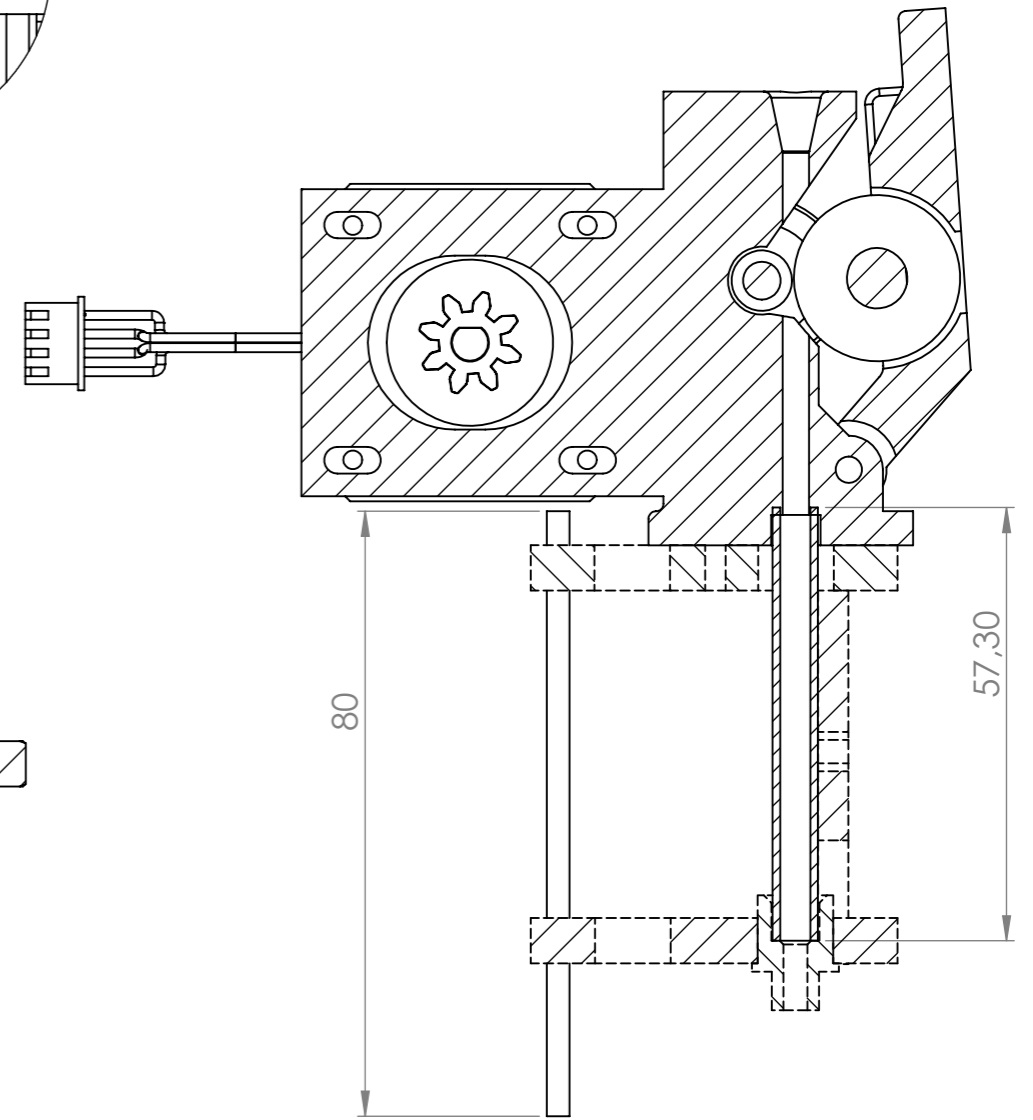


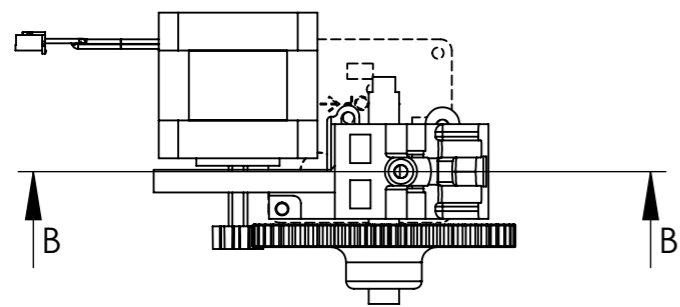
Use washers or M4 nut as spacer to isolate hot motor from plastic body



SECTION A-A  
SCALE 1 : 1



SECTION B-B  
SCALE 1 : 1



UNLESS OTHERWISE SPECIFIED: DIMENSIONS ARE IN MILLIMETERS SURFACE FINISH: TOLERANCES: LINEAR: ANGULAR:				FINISH:		DEBUR AND BREAK SHARP EDGES		DO NOT SCALE DRAWING		REVISION	
DRAWN				NAME		SIGNATURE		DATE		TITLE:	
CHK'D											
APPV'D											
MFG											
Q.A								MATERIAL:		DWG NO.	
								WEIGHT:		Direct extruder V1 A3	
								SCALE:1:2		SHEET 1 OF 1	