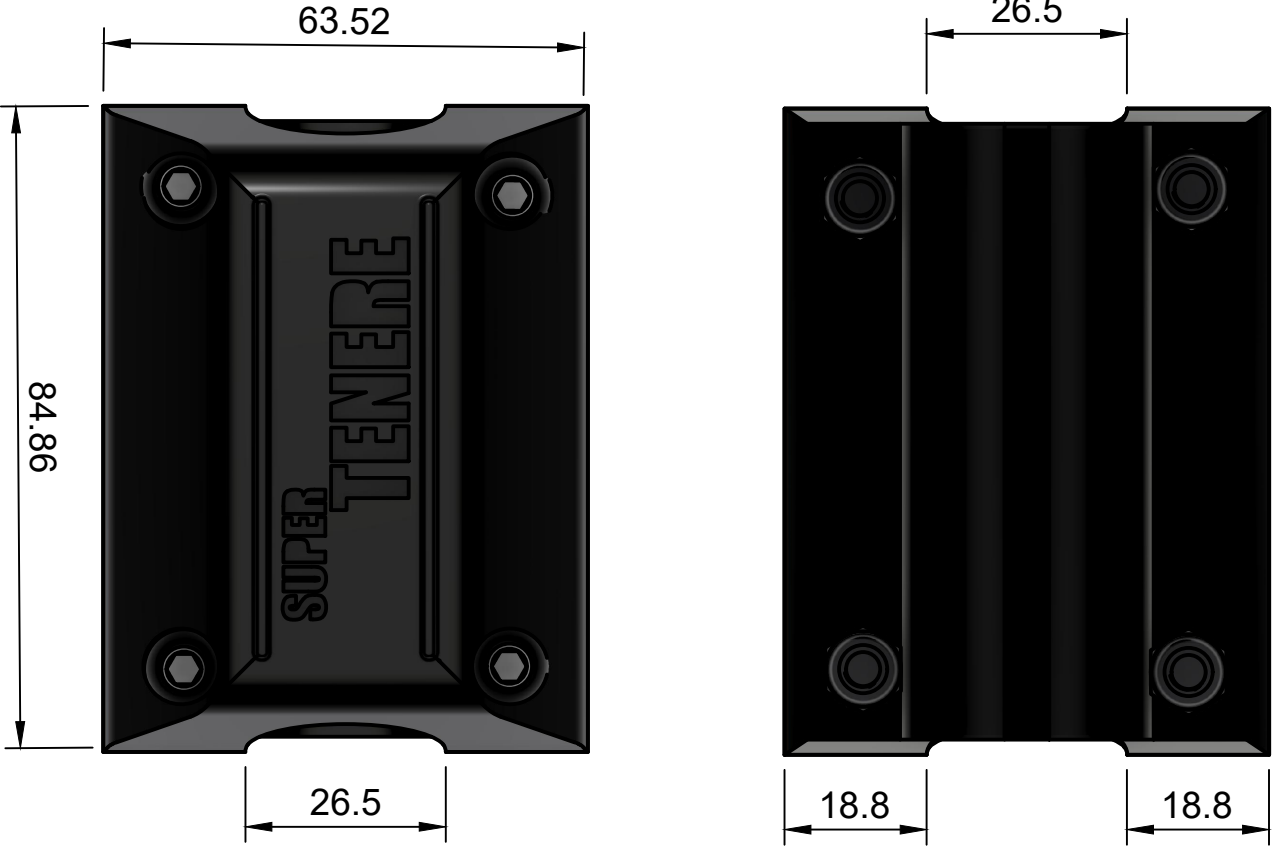


Parts List				
Item	Qty	Part Number	Description	Material
1	1	Top Cover		ABS Plastic Black
2	1	Bottom Cover		ABS Plastic Black
3	4	Screw (M6X16mm)		Steel
4	4	Nut (M6)		Steel



Dept.	Technical reference	Created by Janderson Gomes 25/02/2019	Approved by	
		Document type	Document status	
		Title <i>Suporte do Protetor de Carenagem (Super Ténéré - Chapam)</i>	DWG No.	
Rev.	Date of issue	Sheet		1/1